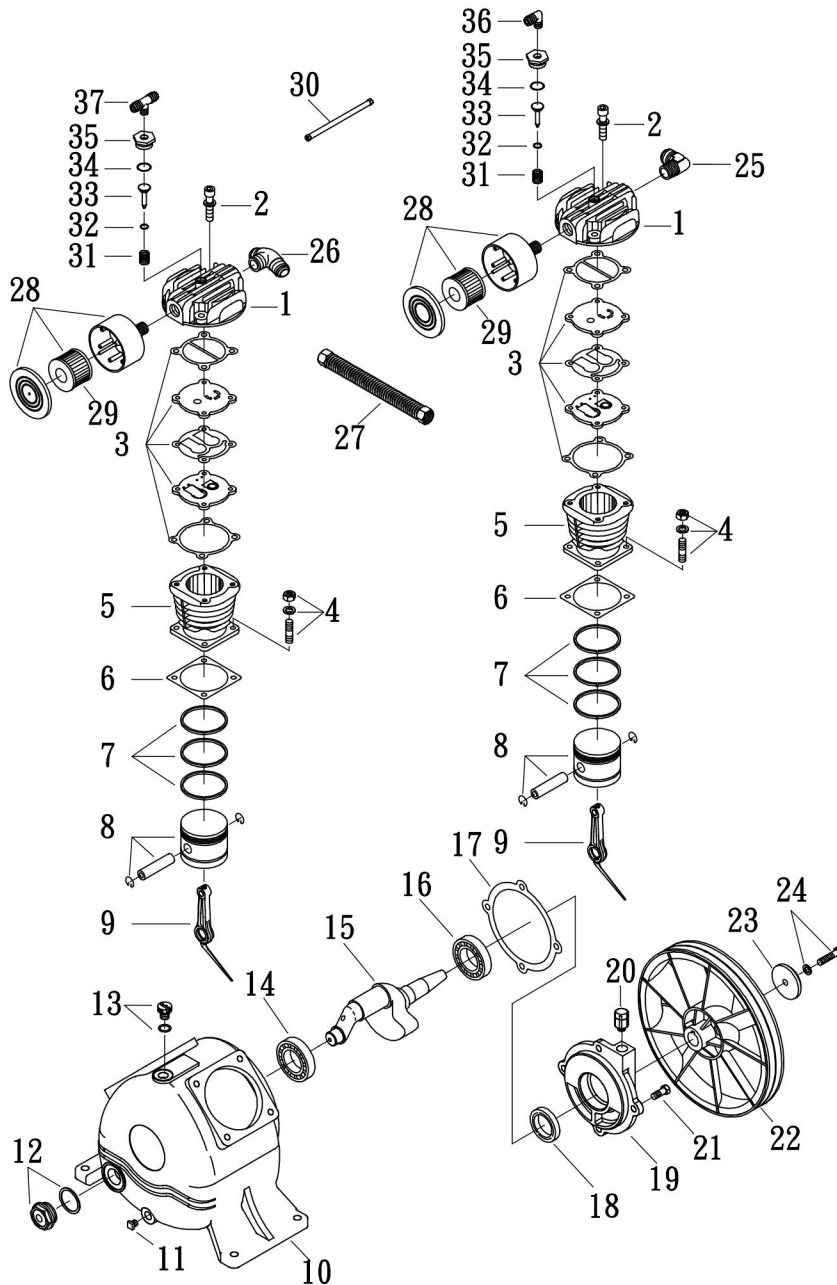


MODEL : PUK-2008MDC(Pump)

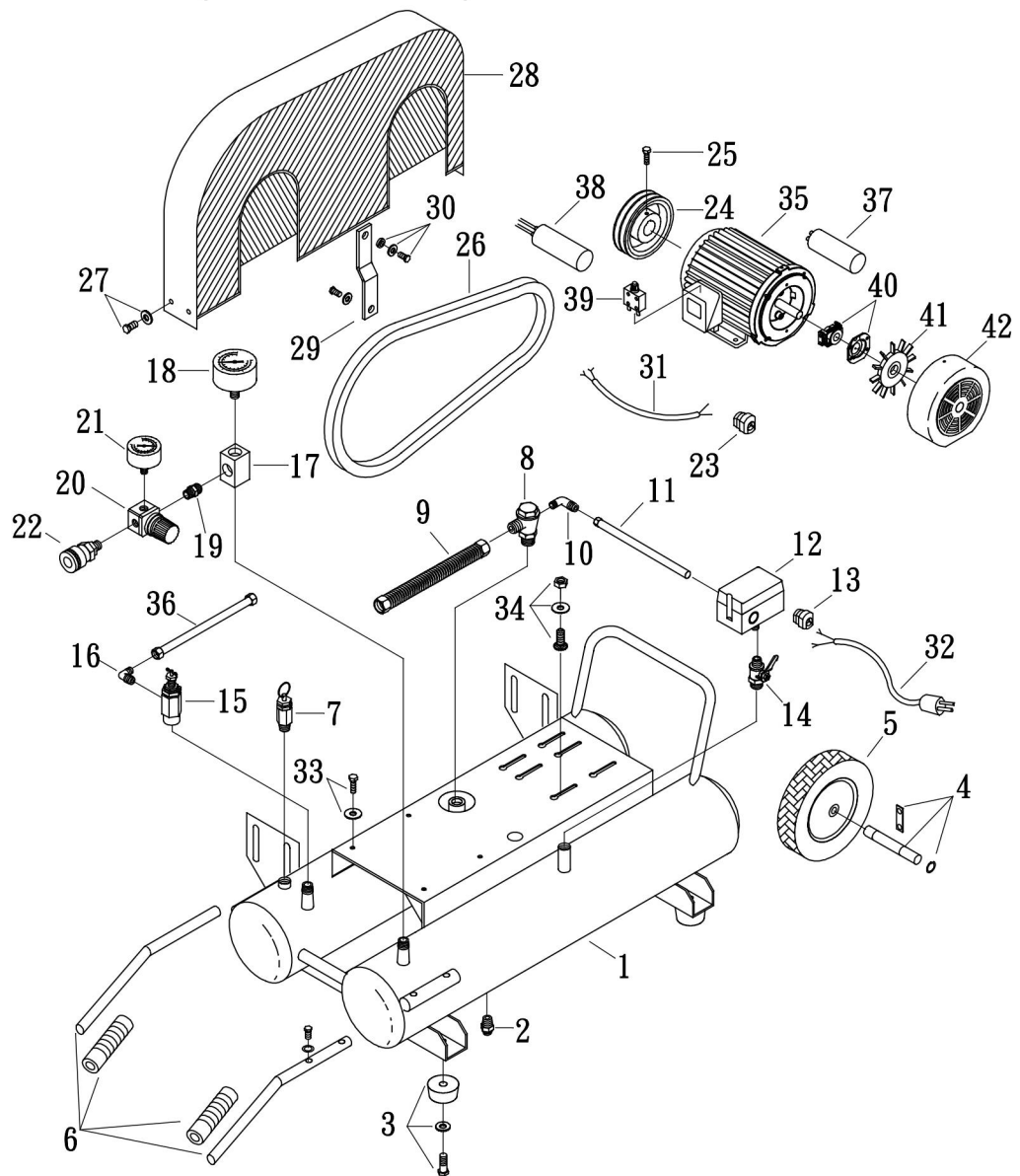


SPARE PARTS LIST

NO : MP-1910

REF. NO.	DESCRIPTION	PART NO.	QTY.	REF. NO.	DESCRIPTION	PART NO.	QTY.
1	Cylinder head	3101055	2	20	Breathing cover	2321008	1
2	Allen bolt set	3B01-M06*040V	8	21	Hexagon blot	2B00-SM08*020	4
3	In. & Ex. valve assembly	3B13-AC0765C	2	22	Pulley	3PBF-105A124	1
4	Double head screw set	3B11-001-A	8	23	Plate washer	2B30-08*35*35	1
5	Cylinder	3201035	2	24	Hexagon bolt set	3B00-SM08*035AV	1
6	Cylinder gasket	2G04-003	2	25	Exhaust elbow	2N06-04T04HSS	1
7	Piston ring set	3B32-65N	2	26	Exhaust three way pipe	2N09-04H04T04H1C	1
8	Piston set	3B31-65N	2	27	Exhaust tube set	3B2-04*240	1
9	Rod set	3B33-H20601	2	28	Air filter set	2140020A	2
10	Crankcase	3301125	1	29	Filter element	2142013	2
11	Oil draining plug	2N33-002	1	30	Unloading tube set	3B2-02*475N	1
12	Oil sight gauge set	2303012A	1	31	Unloading spring	2S03-001	2
13	Oil filling plug set	2319003A	1	32	O-ring	2N52-P06V	2
14	Bearing	2N35-6204	1	33	Unloading piston	2113006	2
15	Crankshaft & balancer	3304038	1	34	O-ring	2N52-P16*3V	2
16	Bearing	2N35-6205Z	1	35	Unloading nut	2B26-001	2
17	Rear bearing seat gasket	2G06-008	1	36	Unloading elbow	2N06-01T02H	1
18	Oil seal	2N50-TC24*47*07	1	37	Unloading three way pipe	2N09-02H01T02H4	1
19	Rear bearing seat	3311034	1				

MODEL : PUK-2008MDC (Receive Tank)



SPARE PARTS LIST

NO : MP-1910

REF. NO.	DESCRIPTION	PART NO.	QTY.	REF. NO.	DESCRIPTION	PART NO.	QTY.
1	Air tank	3401343	1	22	Quick coupler	07MS01/4M-B	1
2	Drain valve	2405011	2	23	Strain relief bushing	2E04-012	1
3	Rubber pad set	3433015-A	4	24	Motor pulley	3PMF-030A1M2408	1
4	Tank wheel axis set	3418022-A	1	25	Hexagon bolt	2B07-SM08*16	2
5	Theel wheel	2402032HB	1	26	V-belt	2N31-A49	1
6	Grip set	3432062-A	1	27	Hexagon bolt set	3B00-FM08*015W	5
7	Pressure relief valve	2406018A	1	28	Belt guard	3426007A	1
8	Check valve	2414025RT	1	29	Bracket	3427043A	1
9	Exhaust tube set	3B2-04*440	1	30	Hexagon bolt set	3B00-SM06*020VW	1
10	Unloading elbow	2N06-01T02H	1	31	Cable	2E02-2030802Y3Q	1
11	Unloading tube	3B2-02*350F	1	32	Power cable	2E01-012W	1
12	Pressure switch	2E21-DA256CP	1	33	Hexagon bolt set	3B00-FM08*025V	4
13	Strain relief bushing	2E04-009	1	34	Motor feet bolt set	3B08-FM08*30-M	4
14	Ball valve	2413010	1	35	Motor(37, 38, 39, 40, 41, 42)	2M02-0506	1
15	Pilot valve	2407007	1	36	Unloading tube	3B2-02*380N	1
16	Unloading elbow	2N06-01N02H	1	37	Starting capacitor	2E28-300F1240	1
17	Brass 4-way pipe	2N04-C2234N	1	38	Running capacitor	2E27-070F2540	1
18	Pressure gauge	2D12-20D14KS	1	39	Thermal protector	2E25-22A	1
19	Nipple	2N01-058	1	40	Centrifugal switch set	2E24-19082P	1
20	Regulator	2408008LNX	1	41	Cooling fan	2336025	1
21	Pressure gauge	2D12-15D15KS	1	42	Fan cover	2337021	1